

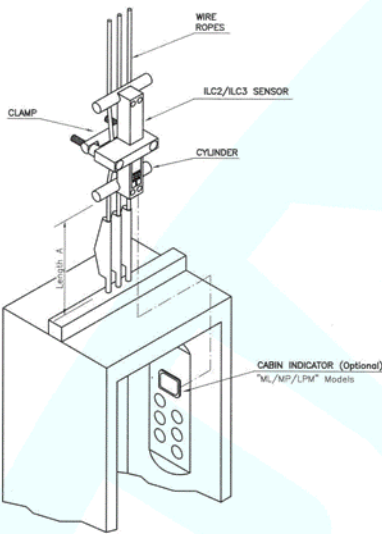
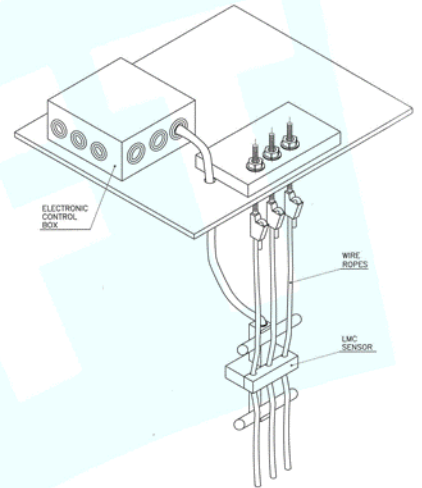
LOAD SENSORS



ILC3

Wire rope electronic sensor * 3 output relays
 Auto setup * 6000 kg / 10000 kg versions
 4 digit display *Optional outputs
 Analog output (0-20, 4-20, 0-24 mA)
 Wire rope electronic sensor *3 output relays
 Auto setup *6000 kg / 10000 kg versions
 4 digit display *Optional outputs

- Cabin Indicator - RS-485
 Analog output (0-20, 4-20, 0-24 mA)



LM3D

Programmable electronic control unit
 designed to control the weight with different Micelect sensors (CCP, LMC, CAB and WR)
 3 output relays
 Auto setup
 4 digit display
 Optional outputs

- Cabin indicator
- RS-485
- Analog output (0-20, 4-20, 0-24 mA)



LM3D



CAB800

CAB 800

Designed for installation under cabin frame
 Compression load cell
 Strain gauge load cell
 Up to 800 kg
 Easy to install

EASY TO INSTALL



CCP

CCP

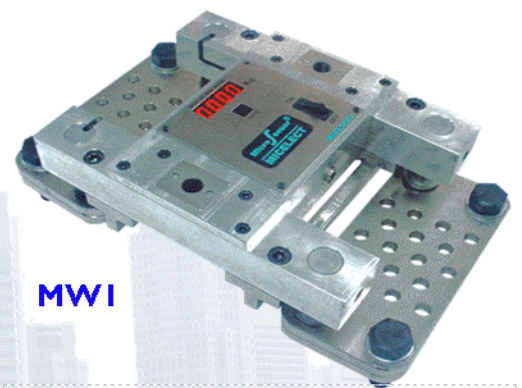
Specially designed for installation under machine bed-frame
 Compression load cell
 Strain gauge load cell
 2000 or 4000 kg
 Easy to install



WR

WR

Traction-compression load cell
 Strain gauge load cell
 Environmental protection IP 65
 Up to 800 kg
 Easy to install



MW1

MW1

Portable electronic weighing system
 Automatic calibration
 Digital display shows weight in steps of 1 Kg
 All elements contained on a suitcase with a trolley
 Environmental protection IP 65
 Versions for 4000, 6000 and 10000 Kg
 Ni-Cd batteries (last 4 hours)



SPB

SPB

Designed to be installed in the hydraulic circuit of the lift.
 2 output relays
 Auto setup
 Up to 99,9 bar
 3 digit display

UNILIFT COMPONENTS PTE LTD

502 Chai Chee Lane

#01-02E / 01-03E

Singapore 469025

Tel : (65) 65423928 Fax : (65) 65421968

Email : enquiry@unilift.net

www.unilift.net