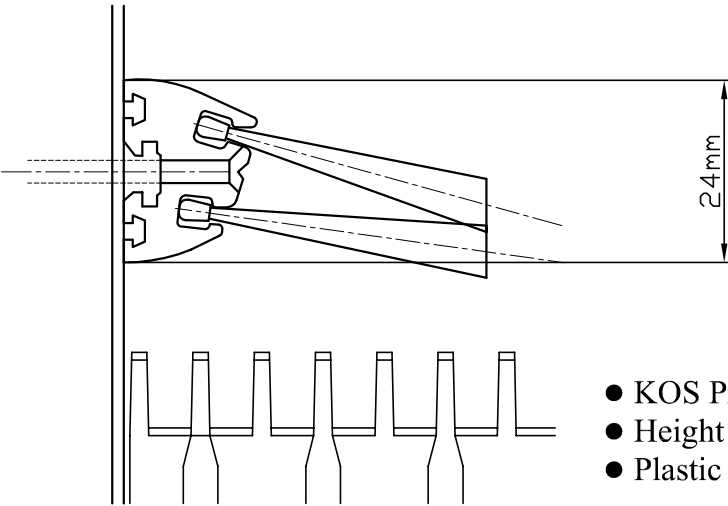
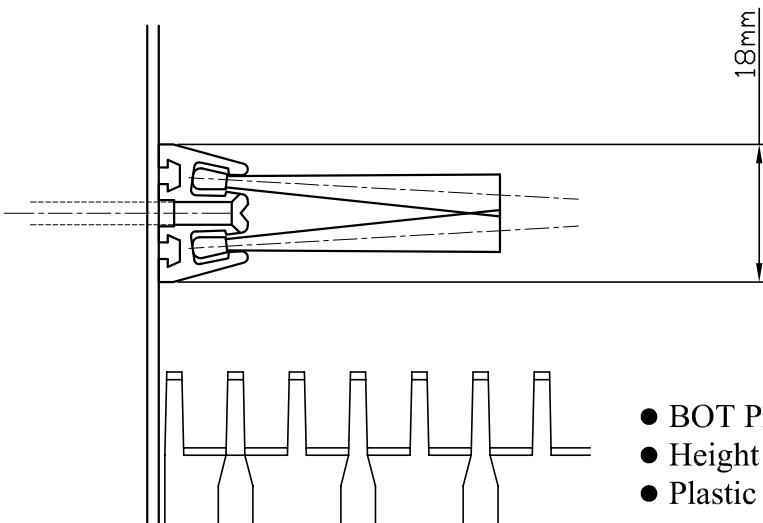


- EOR Profile ● Designed to A17 & EN115
- Height 35mm ● Standard Incline Length 3M
- Aluminium End Caps



- KOS Profile ● Designed to A17 & EN115
- Height 24mm ● Standard Incline Length 2.4M
- Plastic Moulded End Caps



- BOT Profile ● Designed to A17
- Height 18mm ● Standard Incline Length 3M
- Plastic Moulded End Caps

Kleeneze Escalator Safetystrip	Date : Nov 2004
Profiles	